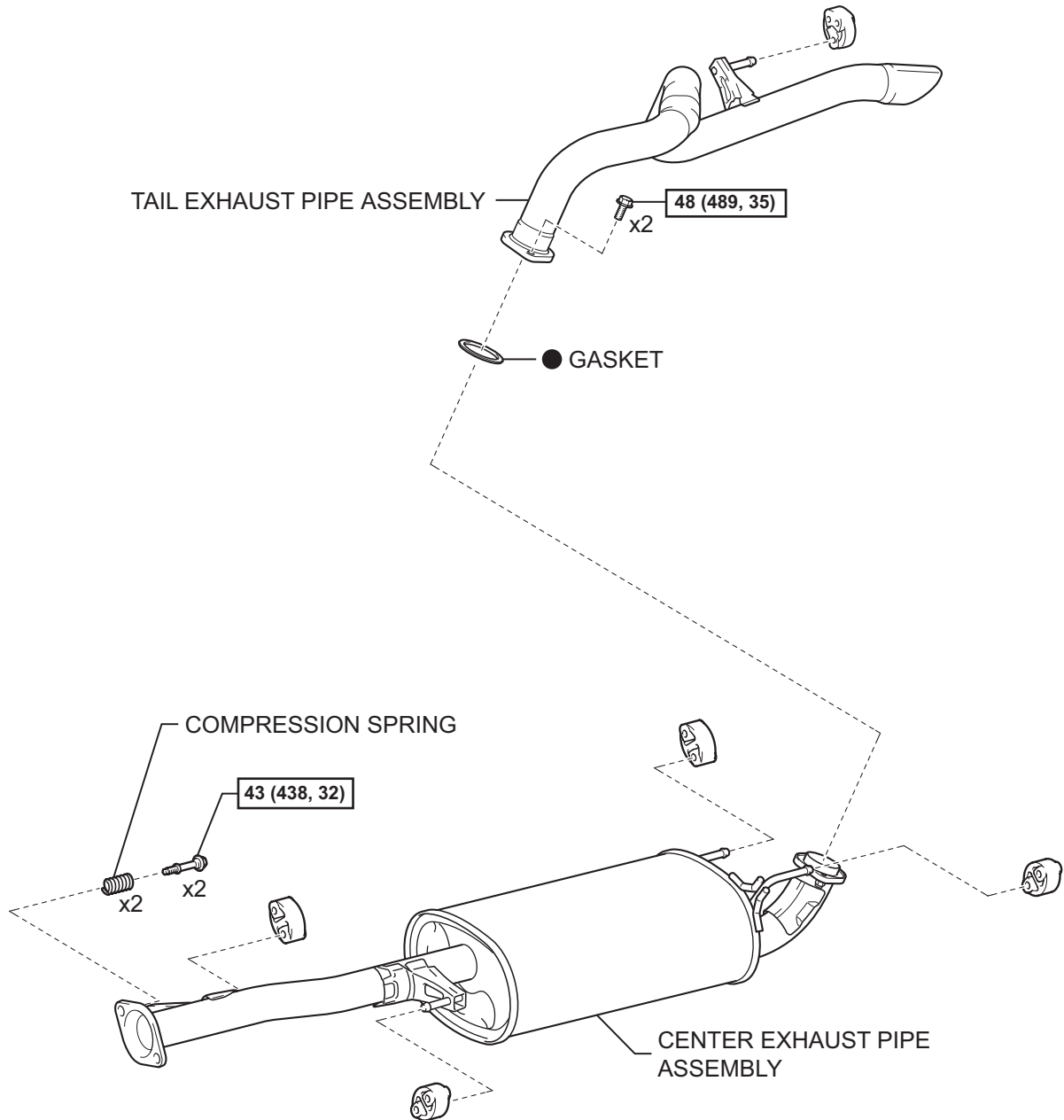


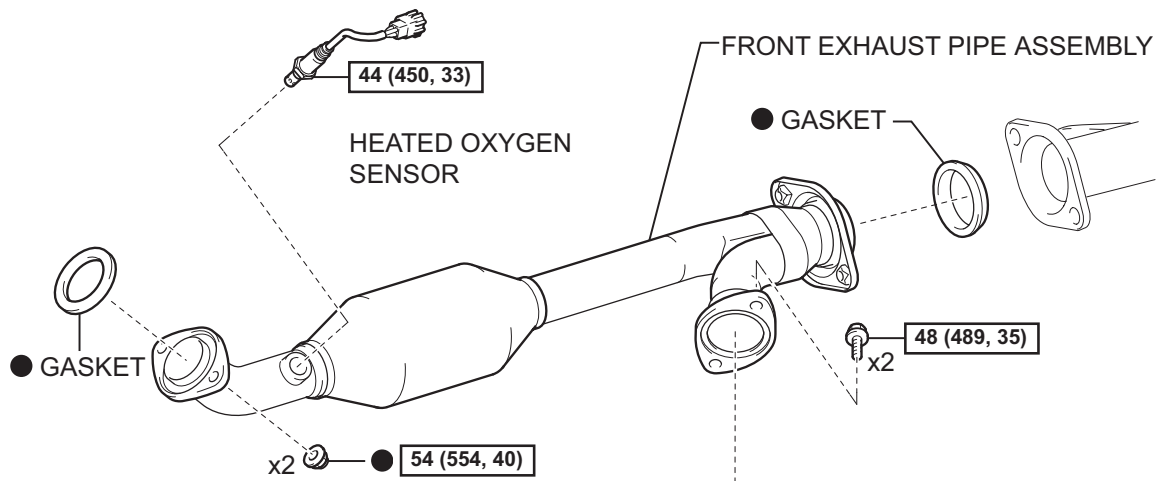
# EXHAUST PIPE COMPONENTS



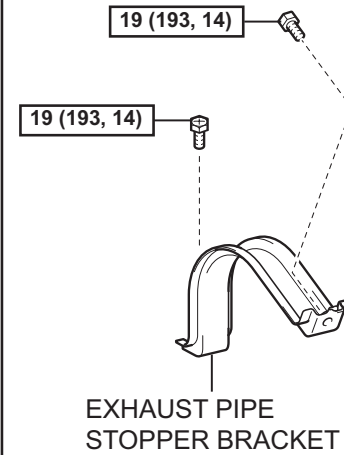
**N\*m (kgf\*cm, ft\*lb)** : Specified torque

● Non-reusable part

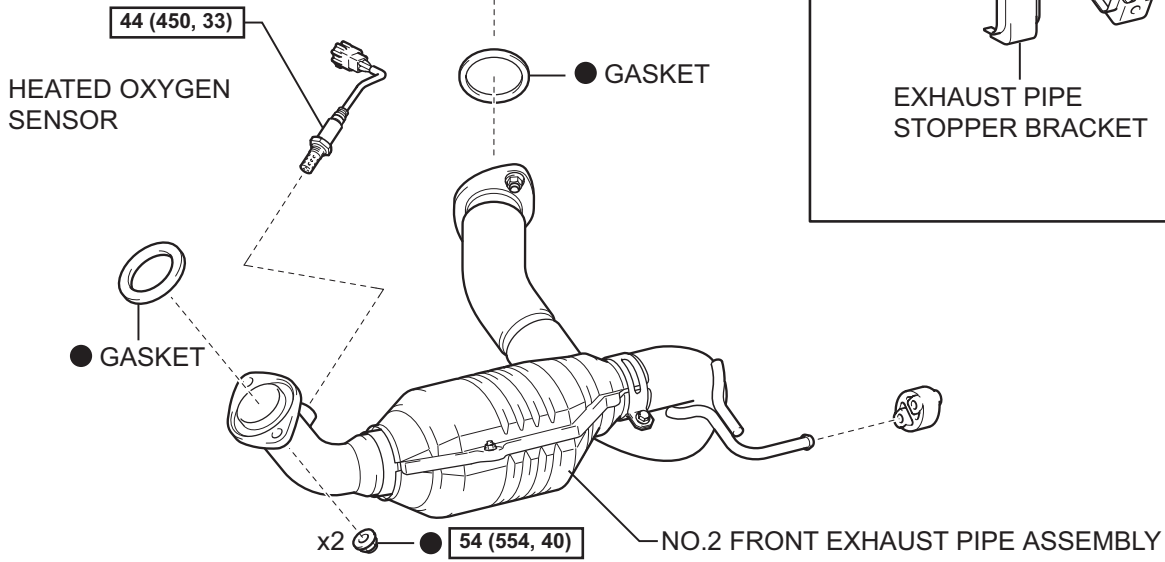
EX



for 4WD:



EX

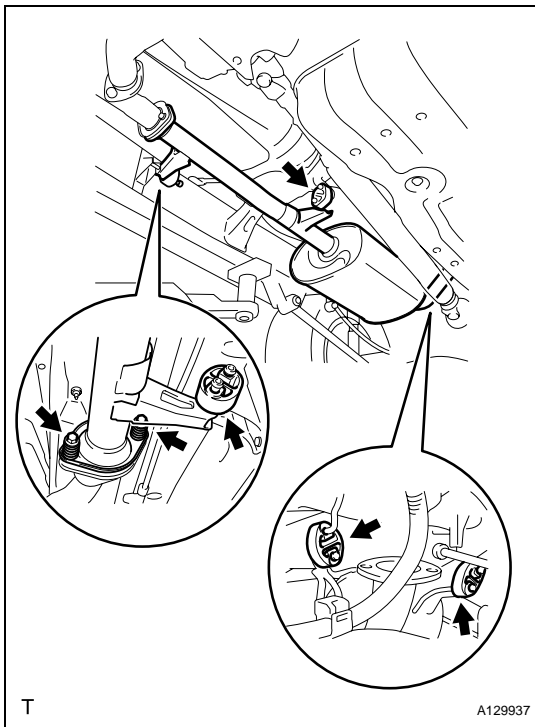
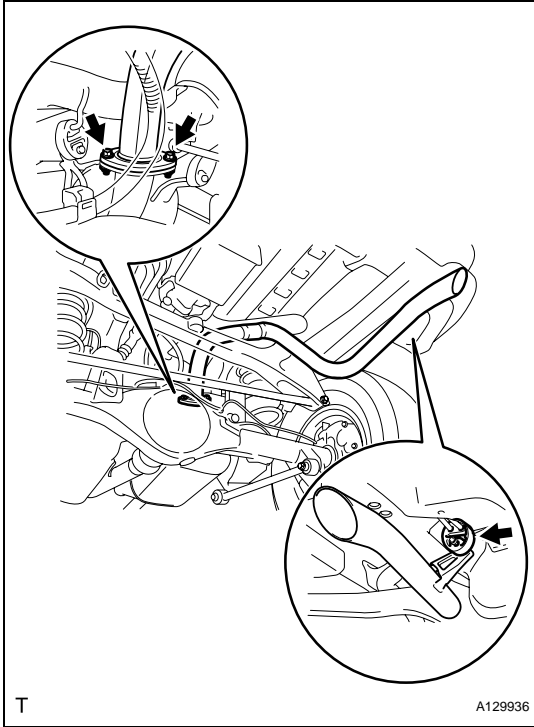


[N\*m (kgf\*cm, ft\*lbf)]: Specified torque

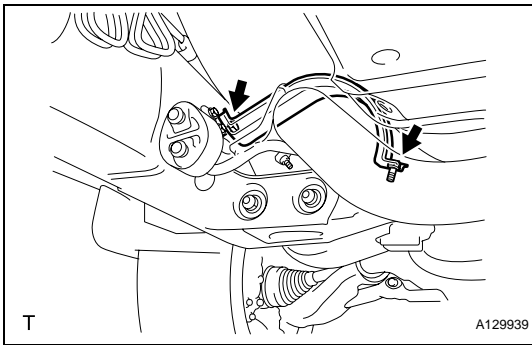
● Non-reusable part

## REMOVAL

1. **DISCONNECT CABLE FROM NEGATIVE BATTERY TERMINAL**
2. **REMOVE HEATED OXYGEN SENSOR (See page EC-24)**
3. **REMOVE TAIL EXHAUST PIPE ASSEMBLY**
  - (a) Remove the 2 bolts and separate the exhaust pipe support, then remove the tail exhaust pipe.

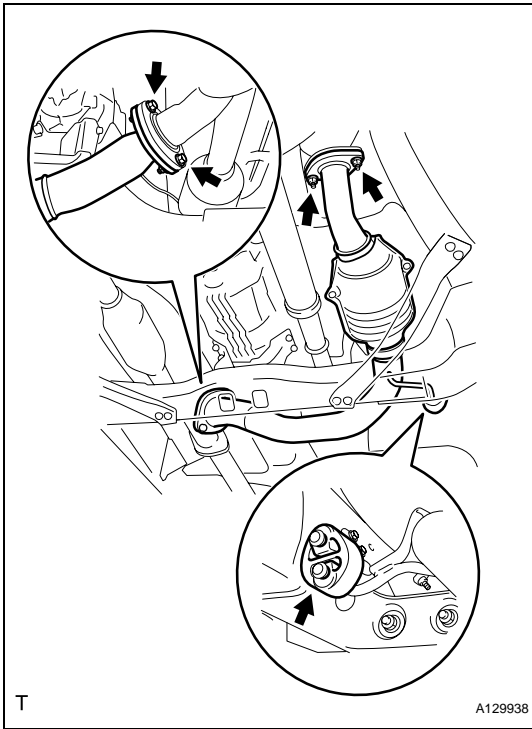


4. **REMOVE CENTER EXHAUST PIPE ASSEMBLY**
  - (a) Remove the 2 bolts and 2 compression springs, then separate the center exhaust pipe.
  - (b) Separate the 4 exhaust pipe supports from the center exhaust pipe, then remove the center exhaust pipe.



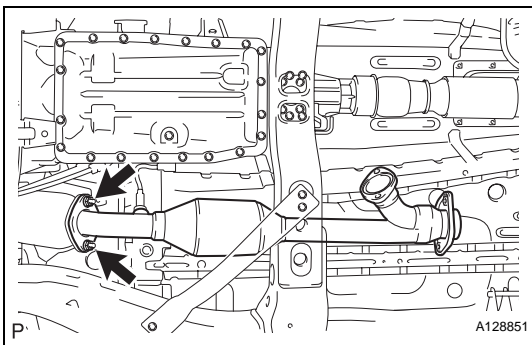
### 5. REMOVE NO. 2 FRONT EXHAUST PIPE ASSEMBLY

(a) Remove the 2 bolts, then remove the exhaust pipe stopper bracket. (for 4WD)



(b) Remove the 2 bolts and 2 nuts and separate the exhaust pipe support, then remove the No. 2 front exhaust pipe.

EX



### 6. REMOVE FRONT EXHAUST PIPE ASSEMBLY

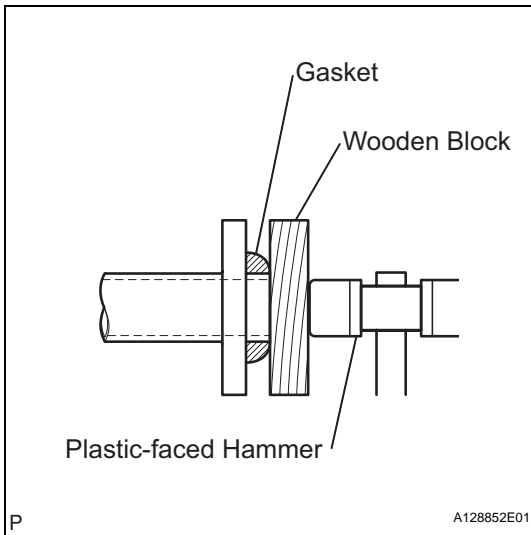
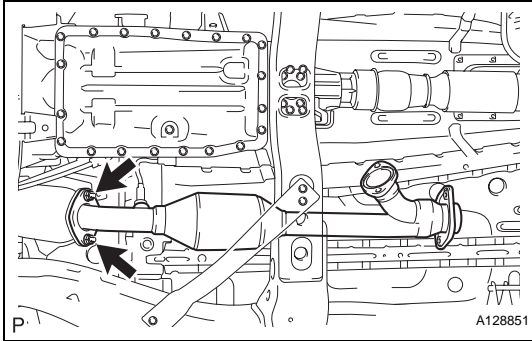
(a) Remove the 2 nuts, then remove the front exhaust pipe.

(b) Remove the front exhaust pipe gasket.

## INSTALLATION

### 1. INSTALL FRONT EXHAUST PIPE ASSEMBLY

- (a) Install a new gasket onto the exhaust manifold RH.
- (b) Install the exhaust front pipe with the new 2 nuts.  
**Torque: 54 N\*m (554 kgf\*cm, 40 ft.\*lbf)**



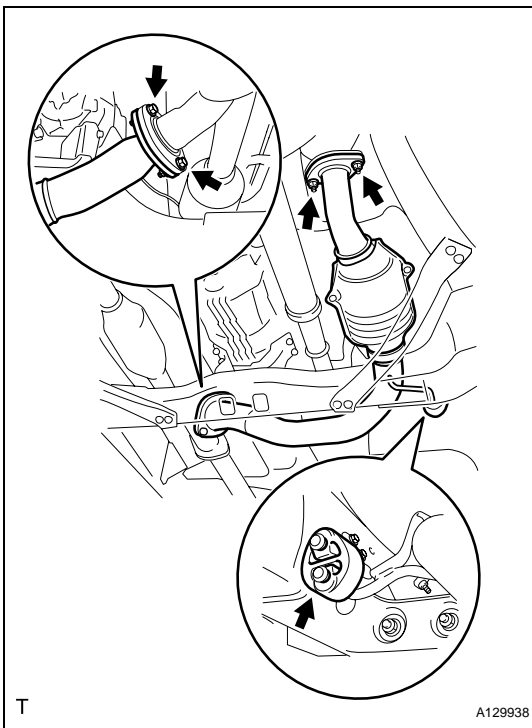
- (c) Install a new gasket onto the front exhaust pipe.
  - (1) Using a wooden block and plastic-faced hammer, tap in a new gasket until it is flush with the front exhaust pipe end.

#### NOTICE:

- Make sure that the gasket is in the correct direction when installing.
- Do not reuse the removed gasket.

### 2. INSTALL NO. 2 FRONT EXHAUST PIPE ASSEMBLY

- (a) Install a new gasket onto the exhaust manifold LH.
- (b) Install a new gasket onto the No. 2 front exhaust pipe.



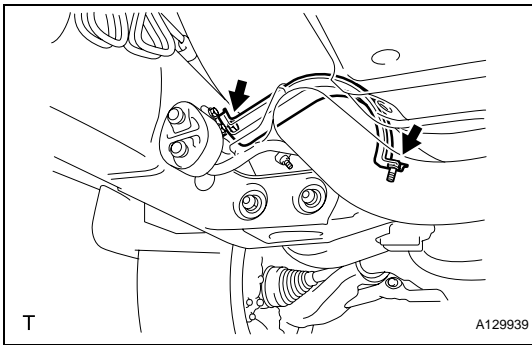
- (c) Install the No. 2 front exhaust pipe with the 2 new nuts and 2 bolts and exhaust pipe support.

#### Torque: Nut

**54 N\*m (550 kgf\*cm, 40 ft.\*lbf)**

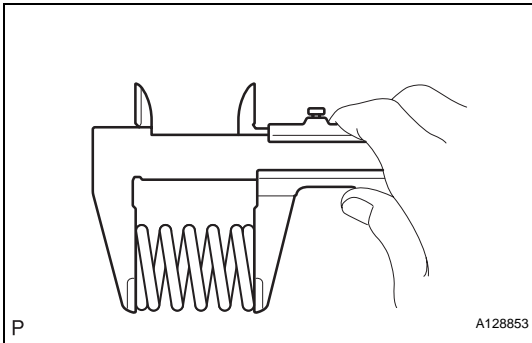
#### Bolt

**48 N\*m (489 kgf\*cm, 35 ft.\*lbf)**



- (d) Install the exhaust pipe stopper bracket with the 2 bolts (for 4WD).

**Torque: 19 N\*m (193 kgf\*cm, 14 ft.\*lbf)**



### 3. INSTALL CENTER EXHAUST PIPE ASSEMBLY

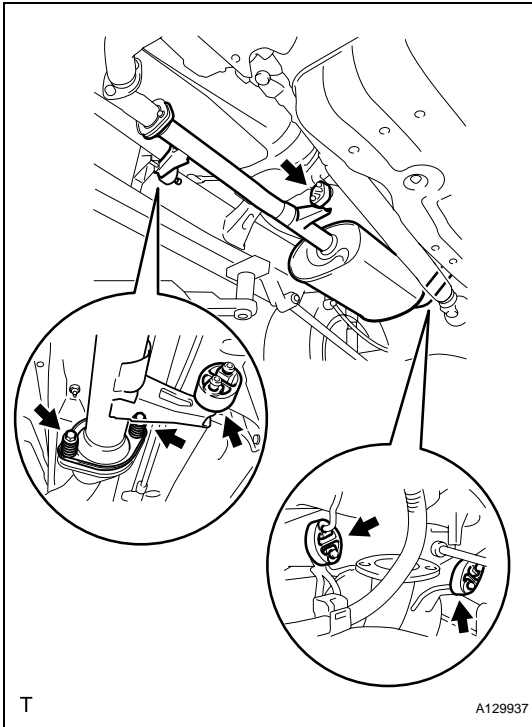
- (a) Check the free length.

- (1) Using vernier calipers, measure the free length of the compression spring.

**Minimum:**

**40.5mm (1.594 in.)**

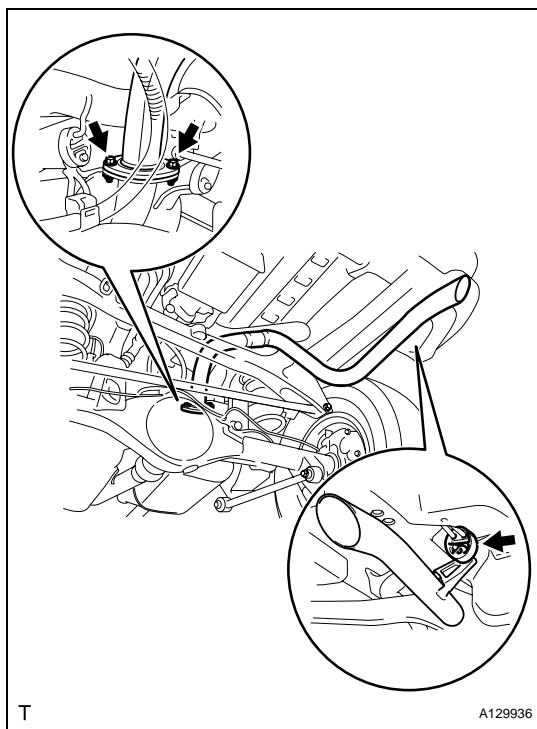
If the free length is less than the minimum, replace the compression spring.



- (b) Install the center exhaust pipe onto the 4 exhaust pipe supports.

- (c) Install the center exhaust pipe with the 2 bolts and 2 springs.

**Torque: 43 N\*m (438 kgf\*cm, 32 ft.\*lbf)**

**4. INSTALL TAIL EXHAUST PIPE ASSEMBLY**

- (a) Install a new gasket onto the center exhaust pipe.
- (b) Install the tail exhaust pipe with the 2 bolts and exhaust pipe support.

**Torque: 48 N\*m (489 kgf\*cm, 35 ft.\*lbf)**

**5. INSTALL HEATED OXYGEN SENSOR (See page [EC-24](#))****6. CONNECT CABLE TO NEGATIVE BATTERY TERMINAL**

**Torque: 3.9 N\*m (40 kgf\*cm, 35 in.\*lbf)**

**7. CHECK EXHAUST GAS LEAKAGE**