

# POWER MIRROR CONTROL SYSTEM

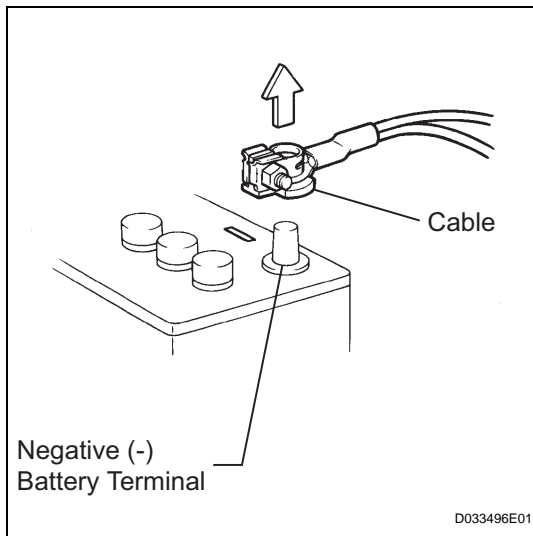
## PRECAUTION

### 1. DISCONNECT AND RECONNECT CABLE OF NEGATIVE BATTERY TERMINAL

#### NOTICE:

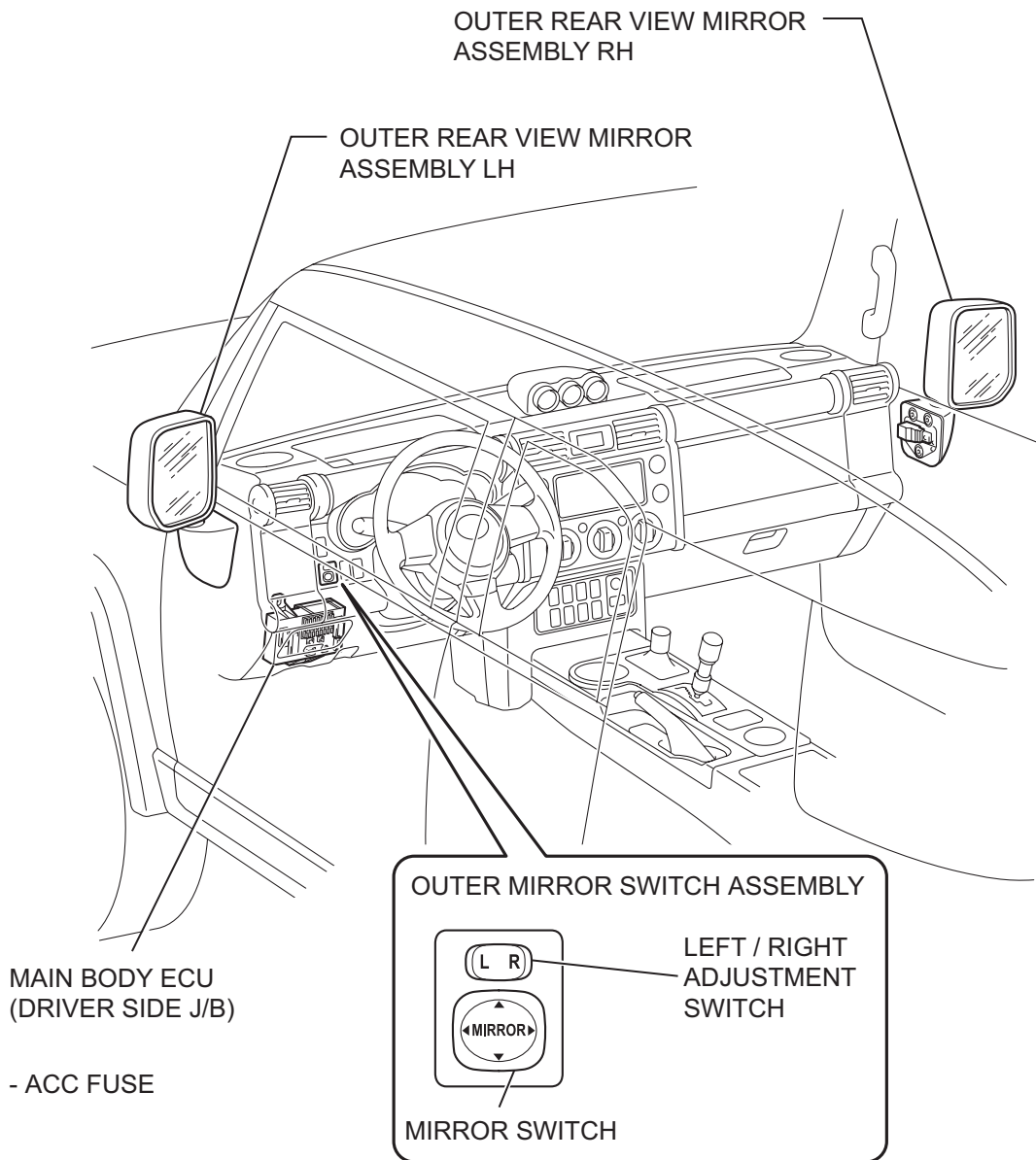
When disconnecting the cable from the negative (-) battery terminal, initialize the following systems after the cable is reconnected.

System Name	See procedure
METER / GAUGE SYSTEM	See page <a href="#">ME-10</a>

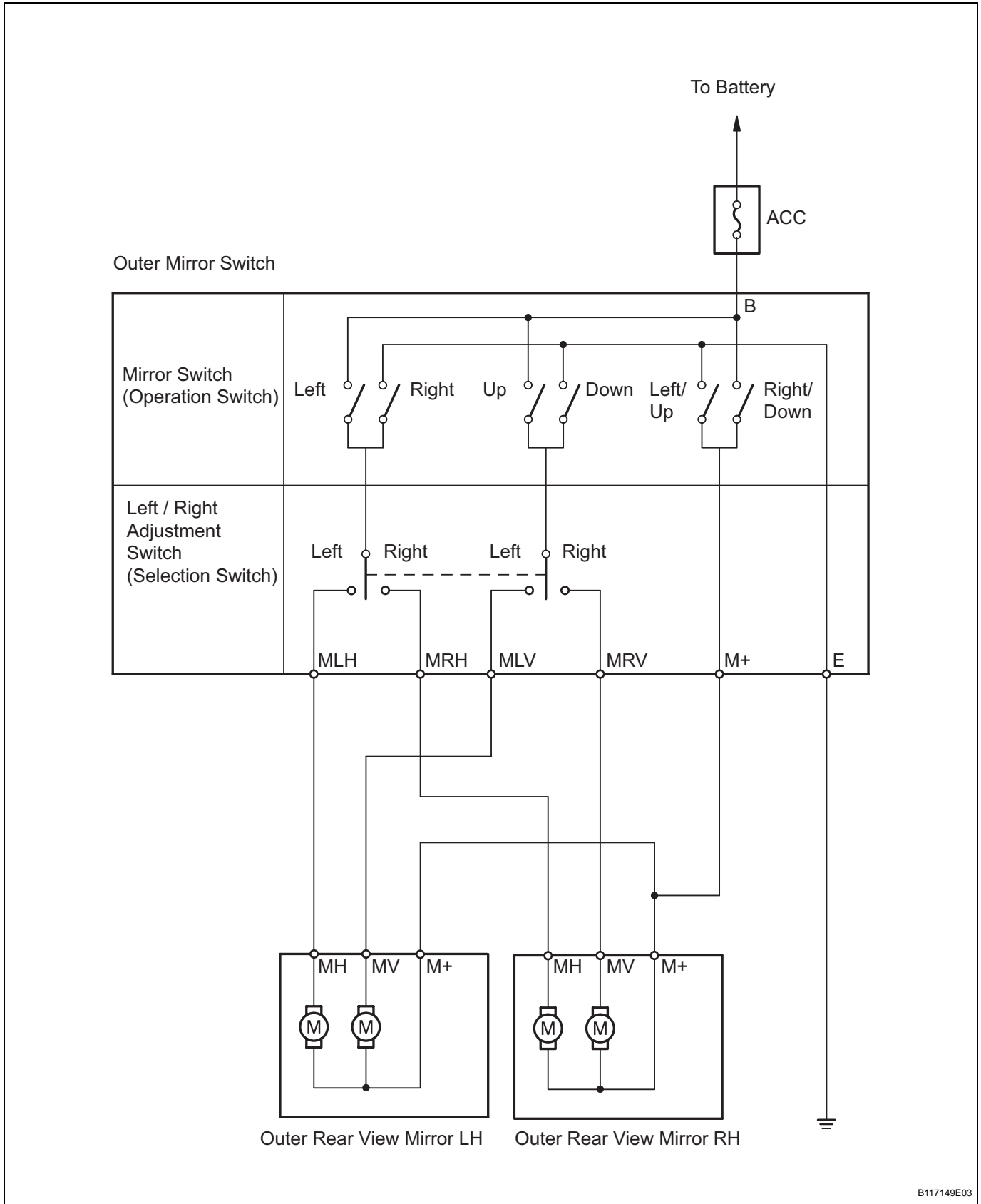


- (a) Before performing electronic work, disconnect the cable from the negative (-) battery terminal in order to prevent it from shorting and burning out.
- (b) Before disconnecting and reconnecting the battery cable, turn the ignition switch OFF and the headlight dimmer switch OFF. Then loosen the terminal nut completely. Do not damage the cable or terminal.
- (c) When the battery cable is disconnected, the clock and radio settings and stored DTCs are erased. Therefore, before disconnecting the battery cable, make a notes of them.

# PARTS LOCATION



# SYSTEM DIAGRAM



MI

## PROBLEM SYMPTOMS TABLE

### HINT:

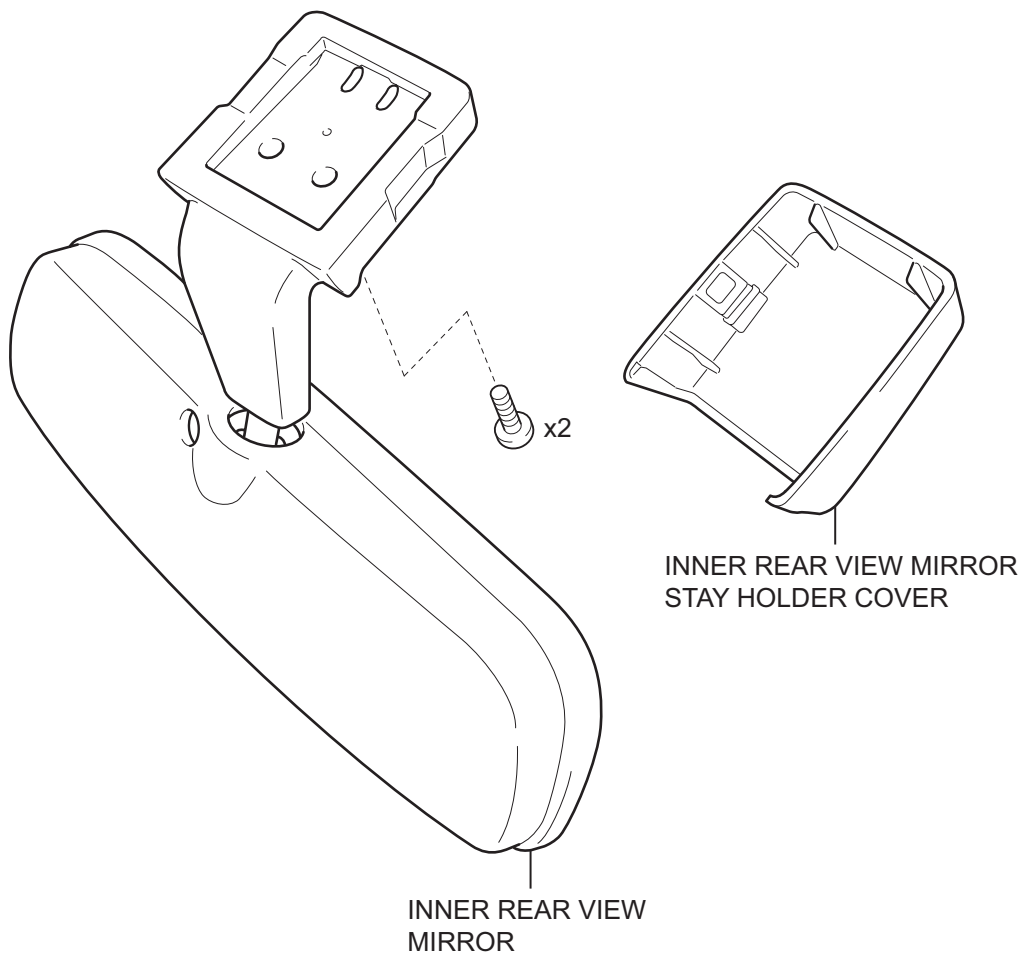
Use the table below to help determine the causes of the problem symptom. The potential causes of the symptoms are listed in order of probability in the "Suspected Area" column of the table. Check each symptom by checking the suspected areas in the order they are listed. Replace parts as necessary.

### Power mirror control system

Symptom	Suspected area	See page
Mirror does not operate	ACC fuse	<a href="#">MI-2</a>
	Outer mirror switch assembly	<a href="#">MI-14</a>
	Outer rear view mirror assembly	<a href="#">MI-10</a>
	Wire harness	-
Mirror operates abnormally	Outer mirror switch assembly	<a href="#">MI-14</a>
	Outer rear view mirror assembly	<a href="#">MI-10</a>
	Wire harness	-

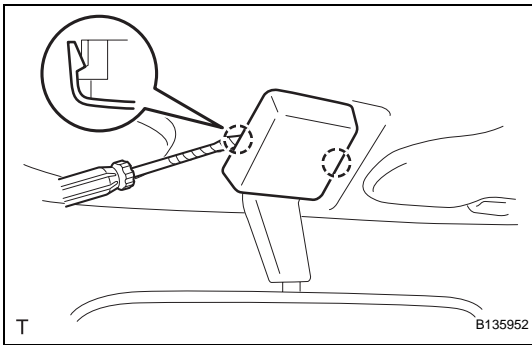
# INNER REAR VIEW MIRROR

## COMPONENTS

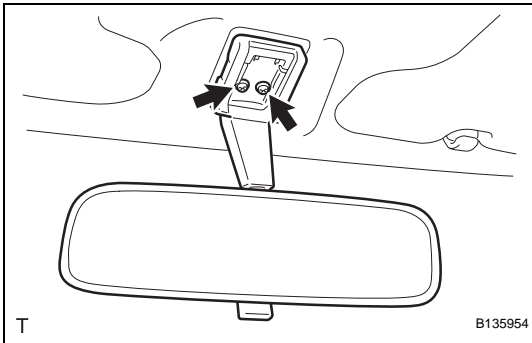


**REMOVAL****1. REMOVE INNER REAR VIEW MIRROR STAY HOLDER COVER**

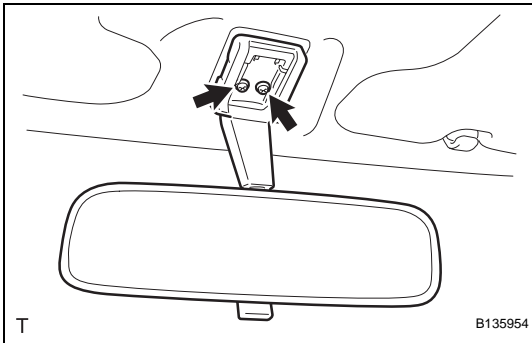
- (a) Using a screwdriver with its tip wrapped in protective tape, disengage the 2 claws and remove the inner rear view mirror stay holder cover.

**2. REMOVE INNER REAR VIEW MIRROR**

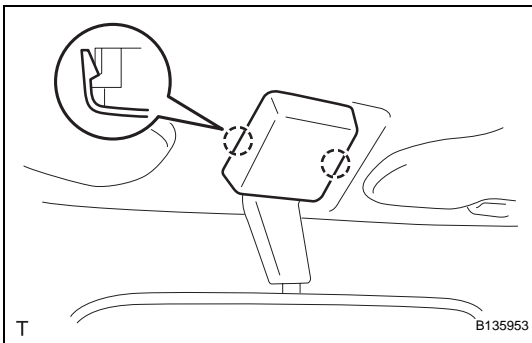
- (a) Remove the 2 screws and remove the inner rear view mirror.

**INSTALLATION****1. INSTALL INNER REAR VIEW MIRROR**

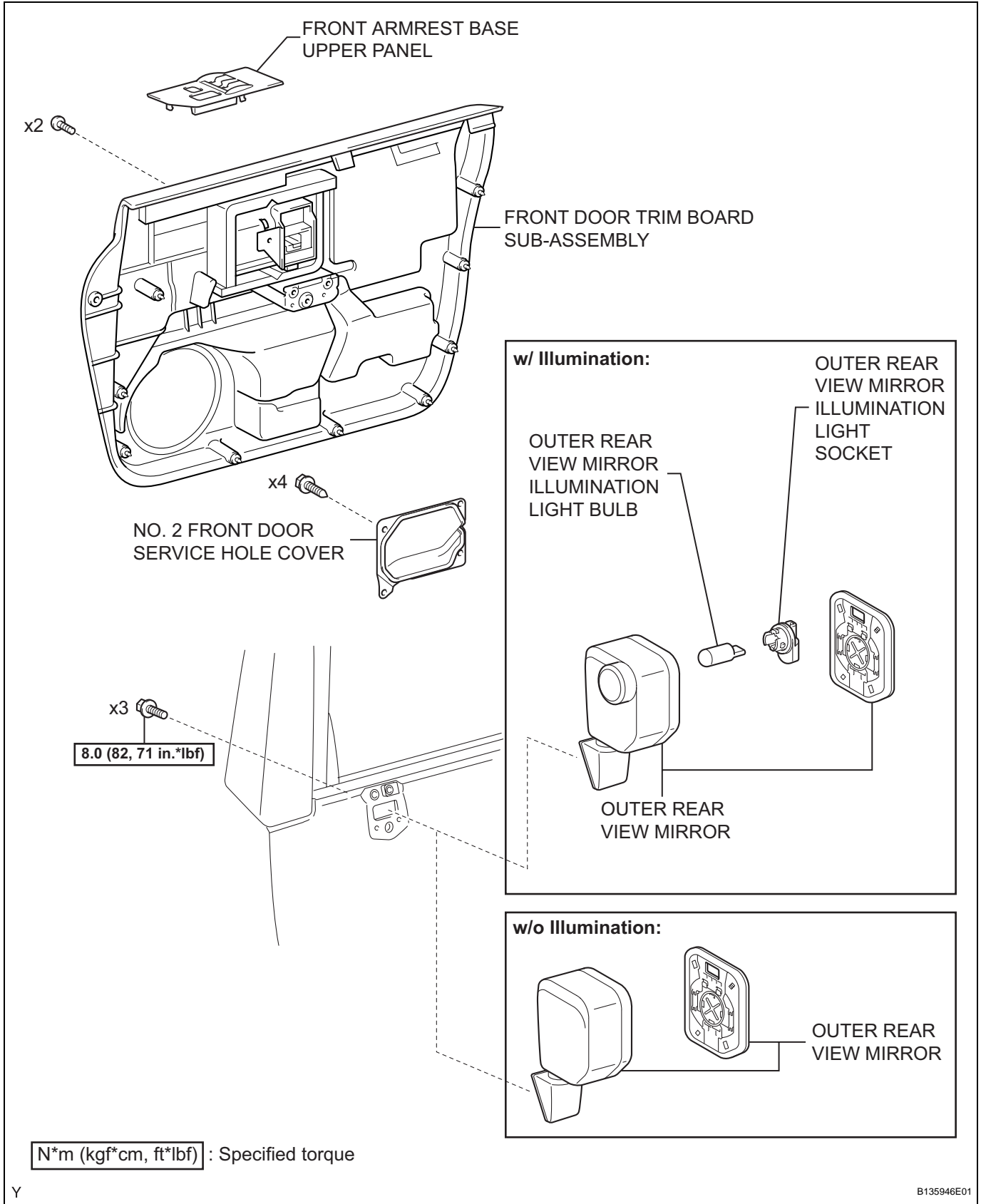
- (a) Install the inner rear view mirror with the 2 screws.

**2. INSTALL INNER REAR VIEW MIRROR STAY HOLDER COVER**

- (a) Engage the 2 claws and install the inner rear view mirror stay holder cover.



# OUTER REAR VIEW MIRROR COMPONENTS



MI

## REMOVAL

### HINT:

- Use the same procedure for both the RH and LH sides.
- The procedure described below is for the LH side.

#### 1. DISCONNECT CABLE FROM NEGATIVE BATTERY TERMINAL

#### 2. REMOVE FRONT ARMREST BASE UPPER PANEL (See page [WS-25](#))

#### 3. REMOVE FRONT DOOR TRIM BOARD SUB-ASSEMBLY

### HINT:

Use the same procedure as for the RH side (see page [ED-9](#)).

#### 4. REMOVE NO. 2 FRONT DOOR SERVICE HOLE COVER

### HINT:

Use the same procedure as for the RH side (see page [ED-10](#)).

#### 5. REMOVE OUTER REAR VIEW MIRROR

##### (a) Driver side:

Provisionally install the power window regulator master switch.

##### (b) Passenger side:

Provisionally install the power window regulator switch.

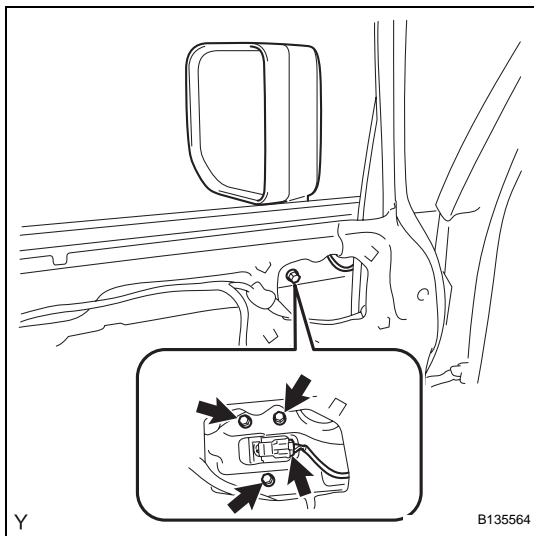
##### (c) Close the door glass.

##### (d) Disconnect the connector.

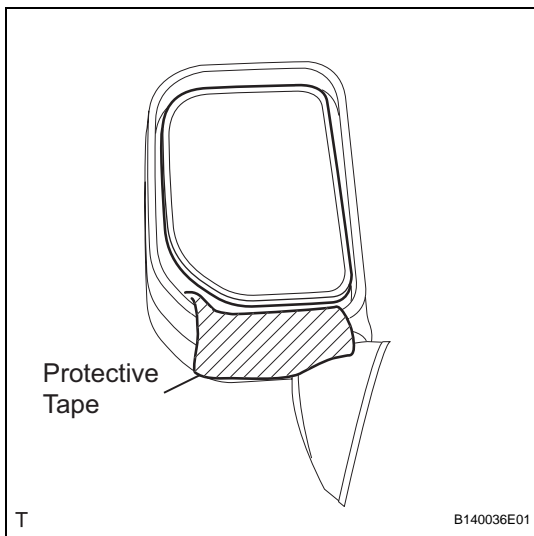
##### (e) Remove the 3 bolts and the outer rear view mirror.

### NOTICE:

**Do not drop or damage the outer rear view mirror when removing the bolts.**



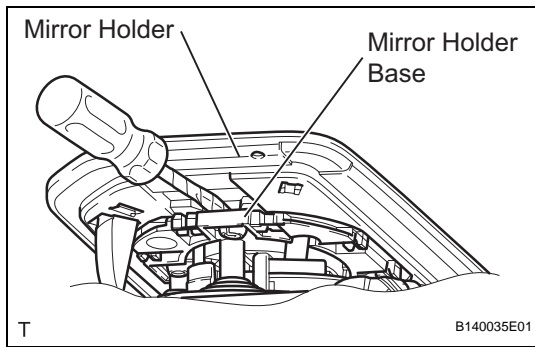
MI



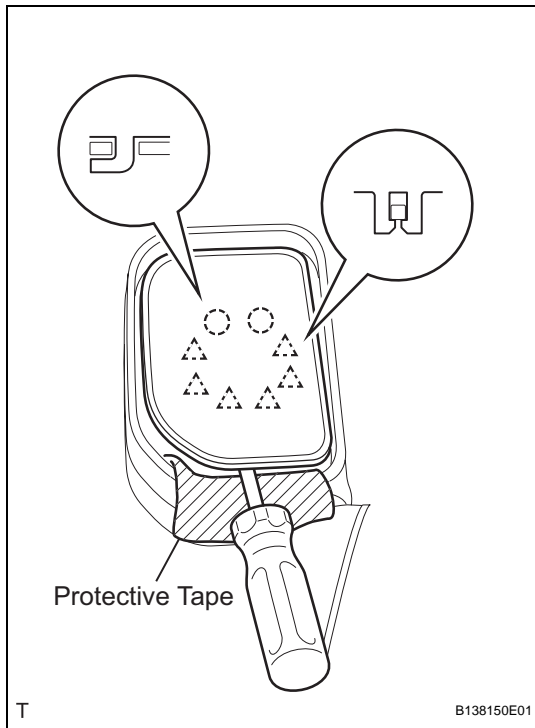
##### (f) Apply protective tape to the lower part of the mirror body.

##### (g) Press down the upper part of the mirror and tilt the mirror.

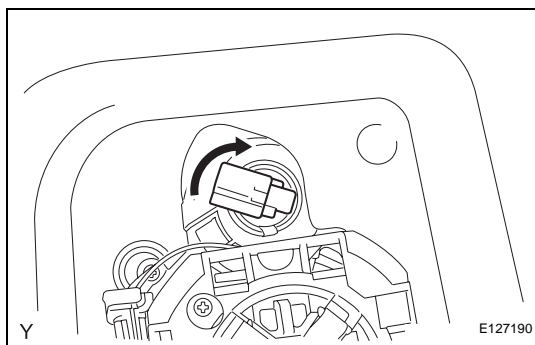




- (h) Using a screwdriver with its tip wrapped in protective tape, insert it between the mirror holder and the mirror holder base.



- (i) Twist and disengage the 2 clips on the lower side of the mirror.  
**HINT:**  
 Heating the mirror holder with a domestic dryer before this procedure makes the work easier.
- (j) While holding the mirror with the screwdriver, disengage the 4 clips and 2 claws on the upper side of the mirror and remove the mirror.
- (k) Driver side:  
 Remove the power window regulator master switch.
- (l) Passenger side:  
 Remove the power window regulator switch.



#### 6. REMOVE OUTER REAR VIEW MIRROR ILLUMINATION LIGHT BULB (w/ Illumination)

- (a) Turn the outer rear view mirror illumination light socket and bulb, in the direction indicated by the arrow in the illustration, to remove them.
- (b) Remove the outer rear view mirror illumination light bulb from the light socket.

## INSPECTION

### 1. INSPECT OUTER REAR VIEW MIRROR ASSEMBLY LH

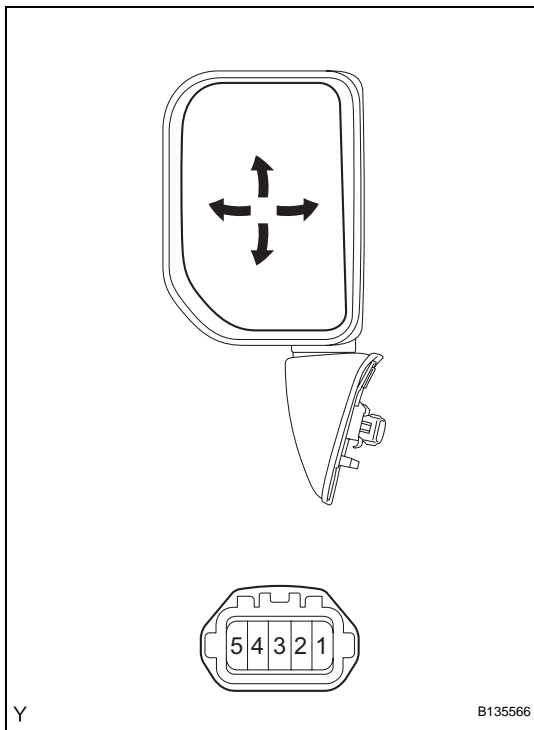
(a) Check the operation.

- (1) Apply battery voltage to the outer rear view mirror and check the operation of the outer rear view mirror.

#### Standard

Measurement Condition	Mirror Assembly Operation
Battery positive (+) - Terminal 3 (MV) Battery negative (-) - Terminal 4 (COM)	Turns upward
Battery positive (+) - Terminal 4 (COM) Battery negative (-) - Terminal 3 (MV)	Turns downward
Battery positive (+) - Terminal 5 (MH) Battery negative (-) - Terminal 4 (COM)	Turns left
Battery positive (+) - Terminal 4 (COM) Battery negative (-) - Terminal 5 (MH)	Turns right

If the result is not as specified, replace the outer rear view mirror.



### 2. INSPECT OUTER REAR VIEW MIRROR ASSEMBLY RH

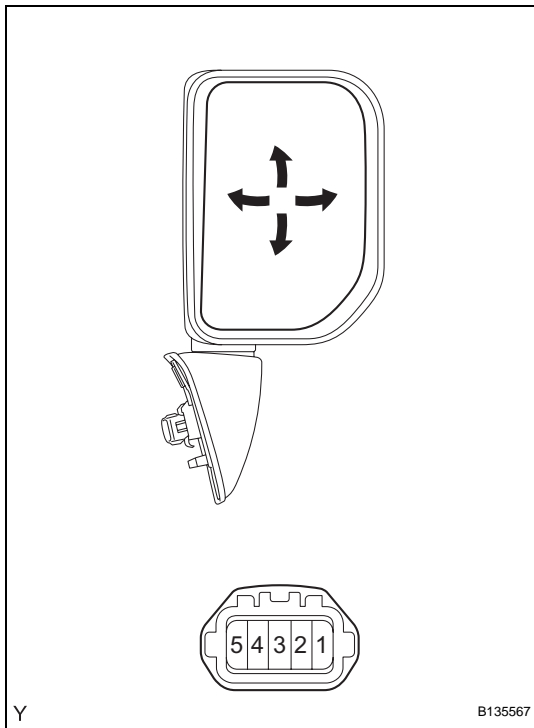
(a) Check the operation.

- (1) Apply battery voltage to the outer rear view mirror and check the operation of the outer rear view mirror.

#### Standard

Measurement Condition	Mirror Assembly Operation
Battery positive (+) - Terminal 3 (MV) Battery negative (-) - Terminal 4 (COM)	Turns upward
Battery positive (+) - Terminal 4 (COM) Battery negative (-) - Terminal 3 (MV)	Turns downward
Battery positive (+) - Terminal 5 (MH) Battery negative (-) - Terminal 4 (COM)	Turns left
Battery positive (+) - Terminal 4 (COM) Battery negative (-) - Terminal 5 (MH)	Turns right

If the result is not as specified, replace the outer rear view mirror.



### 3. INSPECT OUTER REAR VIEW MIRROR ILLUMINATION LIGHT

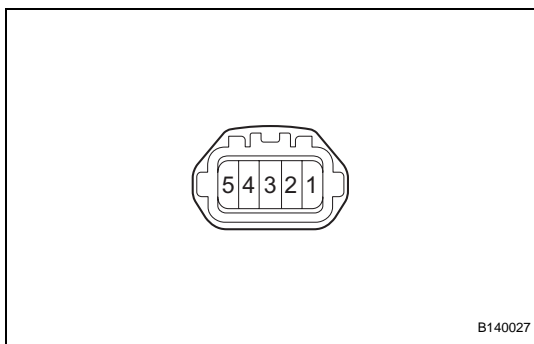
(a) Check the illumination operation.

- (1) Connect the positive (+) battery lead to terminal 2 and the negative (-) battery lead to terminal 1, then check that the illumination illuminates.

#### Standard:

**Illumination illuminates.**

If the illumination does not illuminate, check the faulty bulb.



- (b) Inspect the bulb.
  - (1) Inspect continuity of the bulb by connecting the tester.

**Standard:**  
**Continuity.**

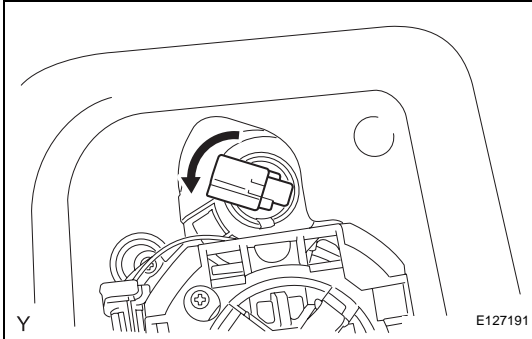
If continuity exists, replace the outer rear view mirror.

If no continuity exists, replace the bulb.

## INSTALLATION

### 1. INSTALL OUTER REAR VIEW MIRROR ILLUMINATION LIGHT BULB (w/ Illumination)

- (a) Install the outer rear view mirror illumination light bulb into the light socket.
- (b) Turn the outer rear view mirror illumination light socket and bulb, in the direction indicated by the arrow in the illustration, to install them.

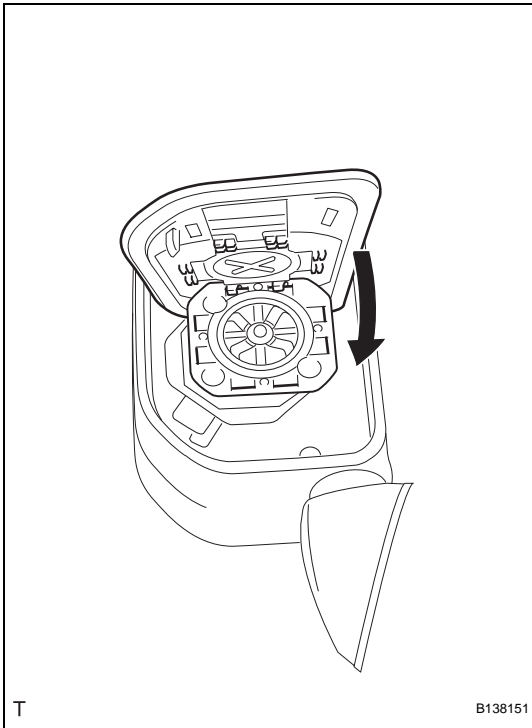


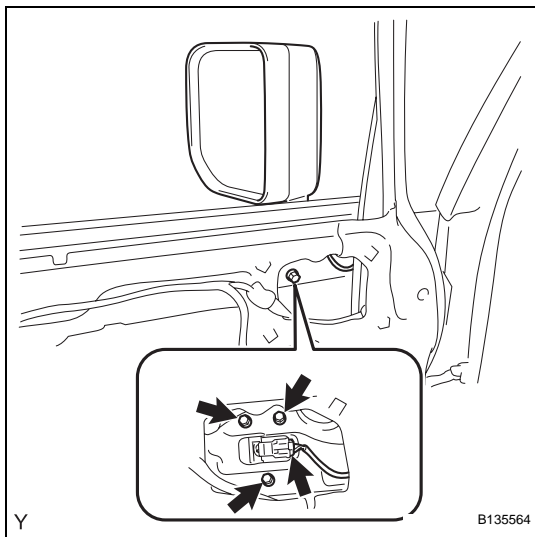
### 2. INSTALL OUTER REAR VIEW MIRROR

- (a) Engage the 2 claws on the upper side of the mirror and the 6 clips and install the mirror.

**HINT:**

Heating the mirror holder with a domestic dryer before this procedure makes the work easier.





(b) Install the outer rear view mirror with the 3 bolts.

**Torque: 8.0 N\*m (82 kgf\*cm, 71 in.\*lbf)**

(c) Connect the connector.

**3. INSTALL NO. 2 FRONT DOOR SERVICE HOLE COVER**

HINT:

Use the same procedure as for the RH side (see page

[ED-24](#)).

**4. INSTALL FRONT DOOR TRIM BOARD SUB-ASSEMBLY**

HINT:

Use the same procedure as for the RH side (see page

[ED-24](#)).

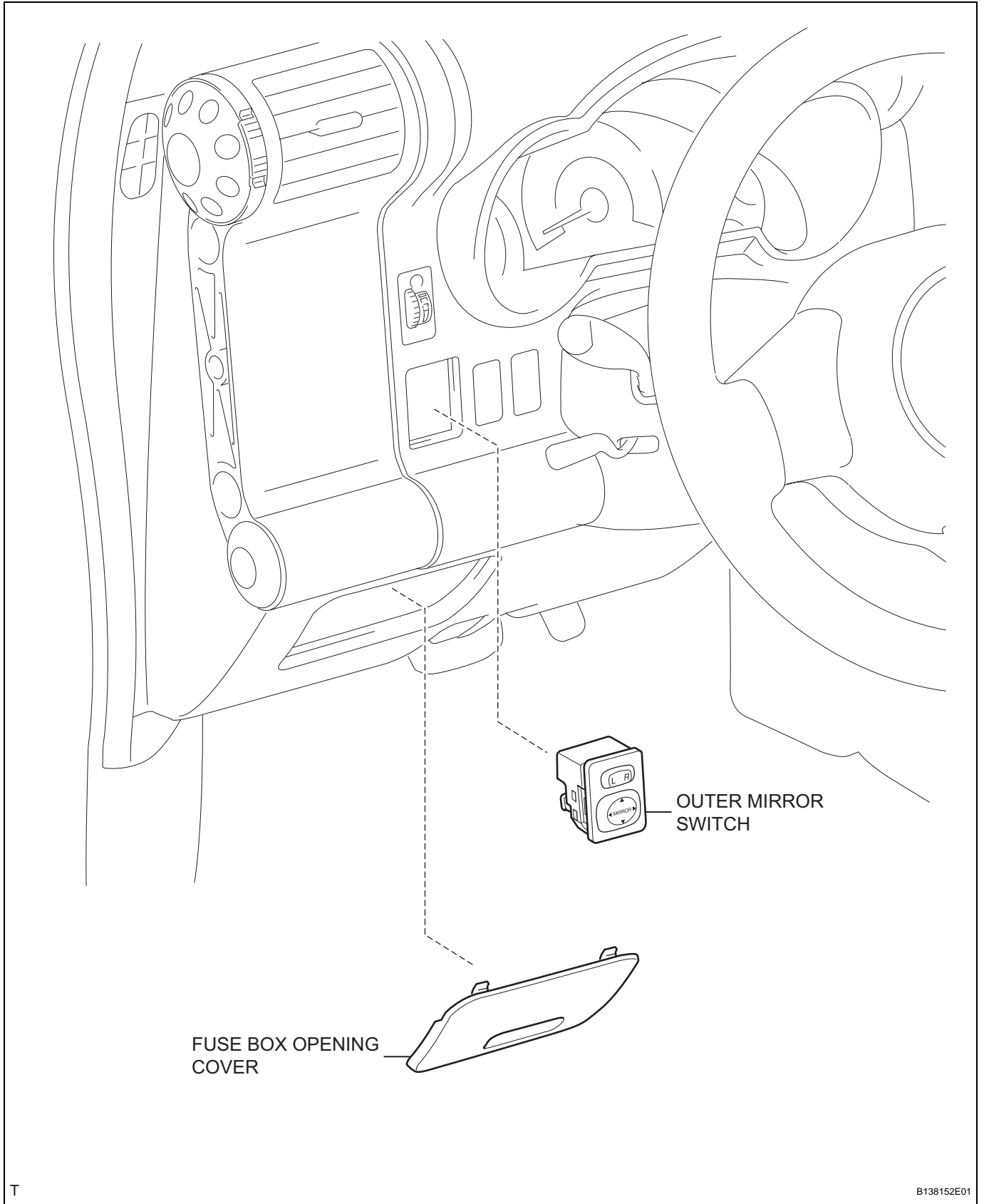
**5. INSTALL FRONT ARMREST BASE UPPER PANEL**  
(See page [WS-27](#))

**6. CONNECT CABLE TO NEGATIVE BATTERY TERMINAL**

**Torque: 3.9 N\*m (40 kgf\*cm, 35 in.\*lbf)**

# OUTER MIRROR SWITCH

## COMPONENTS

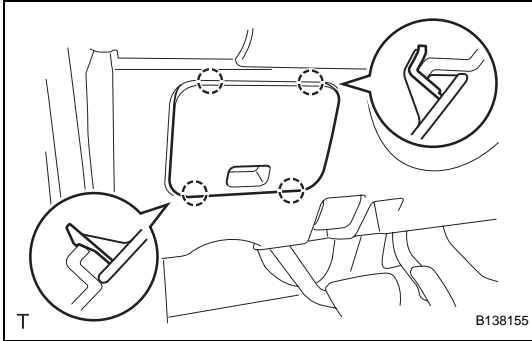


## REMOVAL

### 1. DISCONNECT CABLE FROM NEGATIVE BATTERY TERMINAL

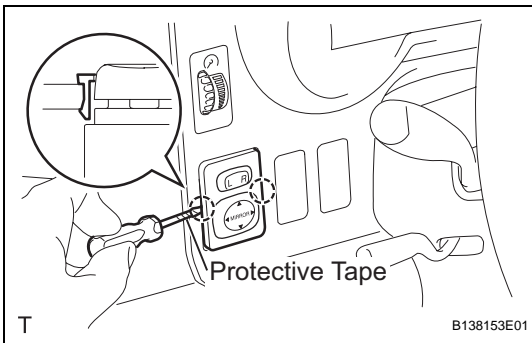
### 2. REMOVE FUSE BOX OPENING COVER

- (a) Disengage the 4 claws and remove the fuse box opening cover.



### 3. REMOVE OUTER MIRROR SWITCH

- (a) Using a screwdriver with its tip wrapped in protective tape, disengage the 2 claws and remove the outer mirror switch.  
 (b) Disconnect the connector.



## INSPECTION

### 1. INSPECT OUTER MIRROR SWITCH

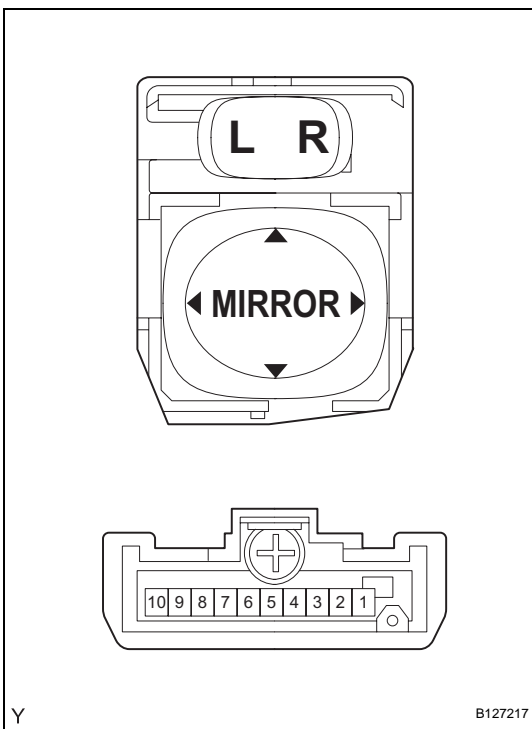
- (a) Check the resistance.  
 (1) Select L on the left/right adjustment switch.  
 (2) Using an ohmmeter, measure the resistance and check the results in accordance with the value(s) in the table below.

#### Standard Resistance

Tester Connection	Condition	Specified Condition
4 (VL) - 7 (E) 4 (VL) - 8 (B) 5 (HL) - 7 (E) 5 (HL) - 8 (B) 6 (M+) - 7 (E) 6 (M+) - 8 (B)	OFF	10 k $\Omega$ or higher
4 (VL) - 8 (B) 6 (M+) - 7 (E)	UP	Below 1 $\Omega$
4 (VL) - 7 (E) 6 (M+) - 8 (B)	DOWN	Below 1 $\Omega$
5 (HL) - 8 (B) 6 (M+) - 7 (E)	LEFT	Below 1 $\Omega$
5 (HL) - 7 (E) 6 (M+) - 8 (B)	RIGHT	Below 1 $\Omega$

If the result is not as specified, replace the outer mirror switch.

- (3) Select R on the left/right adjustment switch.



- (4) Using an ohmmeter, measure the resistance and check the results in accordance with the value(s) in the table below.

#### Standard Resistance

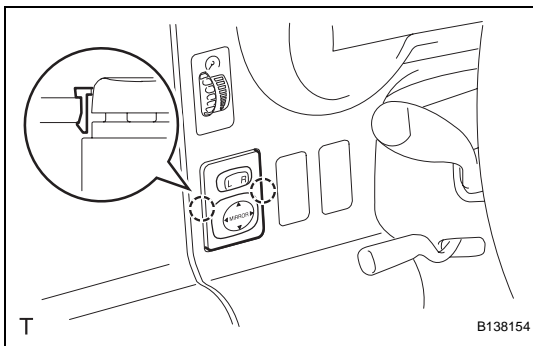
Tester Connection	Condition	Specified Condition
2 (HR) - 7 (E) 4 (HR) - 8 (B) 3 (VR) - 7 (E) 3 (VR) - 8 (B) 6 (M+) - 7 (E) 6 (M+) - 8 (B)	OFF	10 k $\Omega$ or higher
3 (VR) - 8 (B) 6 (M+) - 7 (E)	UP	Below 1 $\Omega$
3 (VR) - 7 (E) 6 (M+) - 8 (B)	DOWN	Below 1 $\Omega$
2 (HR) - 8 (B) 6 (M+) - 7 (E)	LEFT	Below 1 $\Omega$
2 (HR) - 7 (E) 6 (M+) - 8 (B)	RIGHT	Below 1 $\Omega$

If the result is not as specified, replace the outer mirror switch.

## INSTALLATION

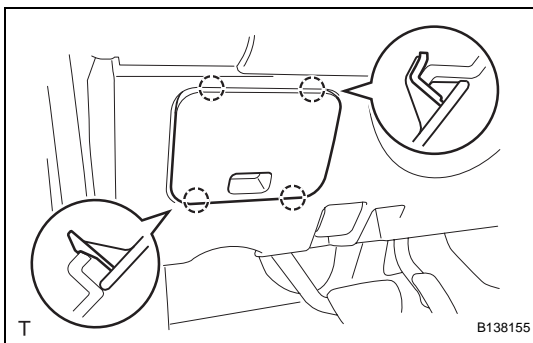
### 1. INSTALL OUTER MIRROR SWITCH

- Connect the connector.
- Engage the 2 claws and install the outer mirror switch.



### 2. INSTALL FUSE BOX OPENING COVER

- Engage the 4 claws and install the fuse box opening cover.



### 3. CONNECT CABLE TO NEGATIVE BATTERY TERMINAL

Torque: 3.9 N\*m (40 kgf\*cm, 35 in.\*lbf)